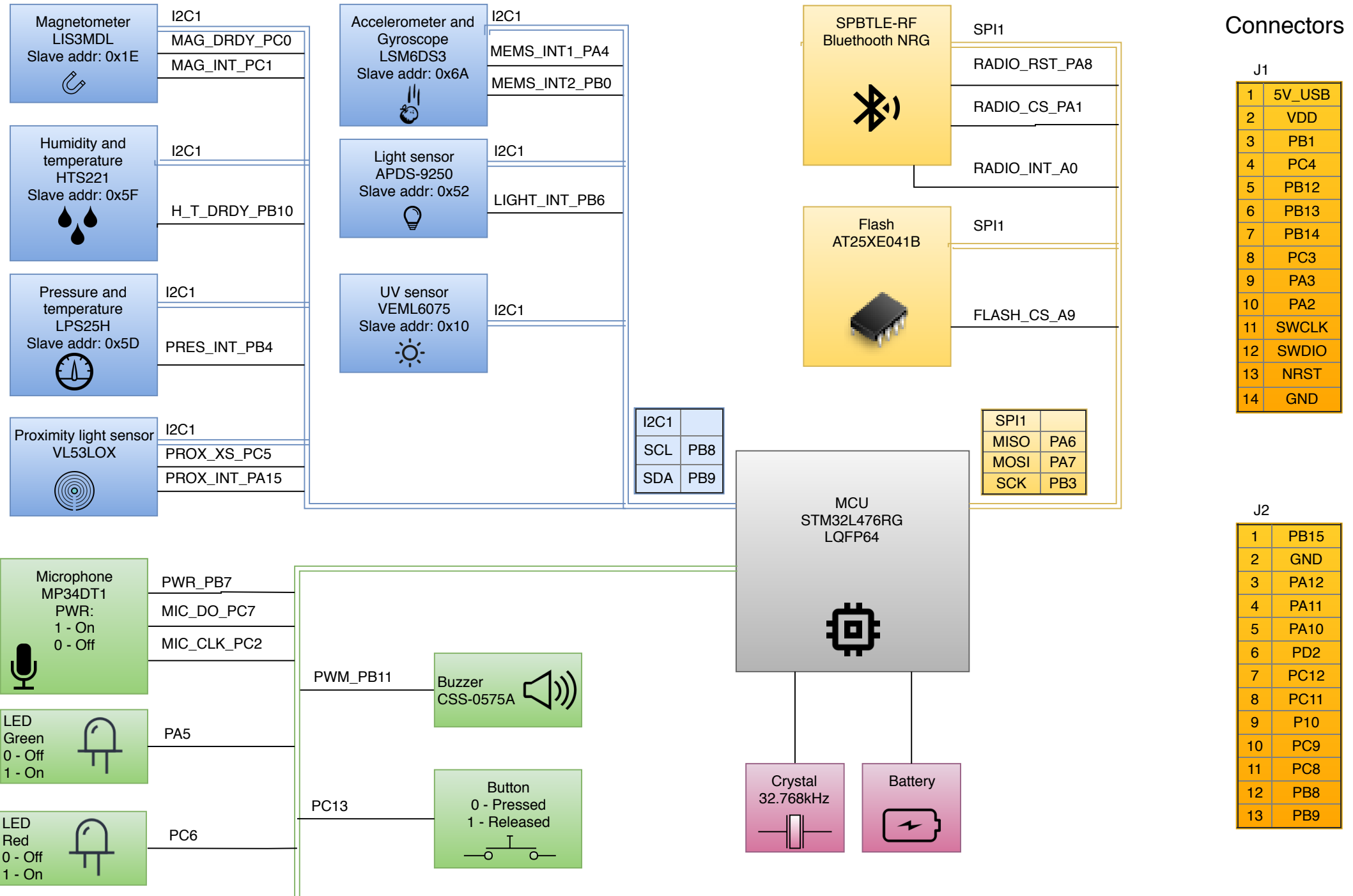


SensiBLE



Connectors

J1

1	5V_USB
2	VDD
3	PB1
4	PC4
5	PB12
6	PB13
7	PB14
8	PC3
9	PA3
10	PA2
11	SWCLK
12	SWDIO
13	NRST
14	GND

J2

1	PB15
2	GND
3	PA12
4	PA11
5	PA10
6	PD2
7	PC12
8	PC11
9	P10
10	PC9
11	PC8
12	PB8
13	PB9